

Rian Industries Pty Ltd specializes in:

- Injection Moulding – 20 to 1100 ton capacity
- Product Assembly
- Toolmaking
- CNC Machining
- Precision Engineering

The company was founded in 1969 by the Managing Director, Mr. Richard Gackenheimer, a qualified tool designer with over forty year' experience in the plastics and moulding industry.

Our reputation for quality has enabled the company to grow steadily. This success has been a result of the company's strong quality assurance, dedication to the manufacture and supply of quality products and the expert knowledge and experience of management and staff.

Over the years we have supplied products for the Automotive, Aerospace, Marine, Medical, Electrical, Industrial, House Wares, Toys, Nursery Goods, Photographic, Plumbing and Irrigation industries.

Our company can machine and produce individual parts to any detailed drawing with the use of advanced CAD techniques



RIAN INDUSTRIES PTY LTD
Plastic Moulders/Toolmakers/Designers/Manufacturers
5 Remont Court Cheltenham Victoria 3192 Australia
Telephone 03 9584 6166 Fax 03 9584 4134
Email-info@rian.com.au

Rian Industries Pty Ltd

Plastic Moulders/Toolmakers/Designers/Manufacturers



Plastic Injection Moulding
Assemblies
Toolmaking
CNC Machining
Precision Engineering

Precision and
Experience for
Today and Tomorrow

OKUMA CNC MILLING



CREATOR CNC SPARK EDM



ELECTRONICA WIRE EDM



INJECTION MOULDING



Precision

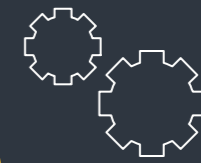
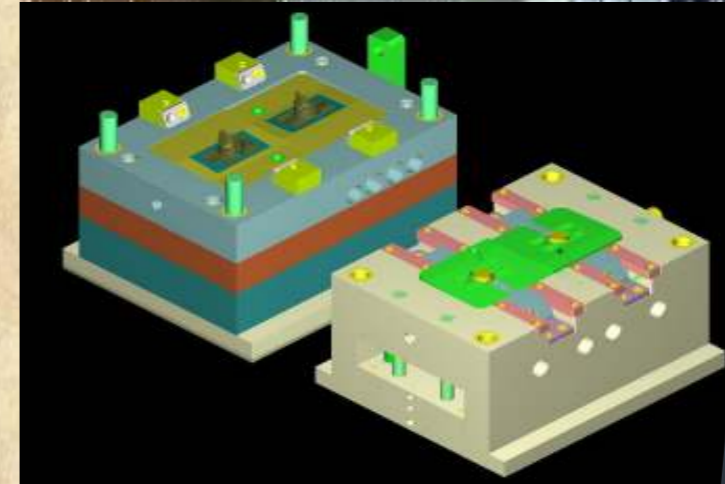
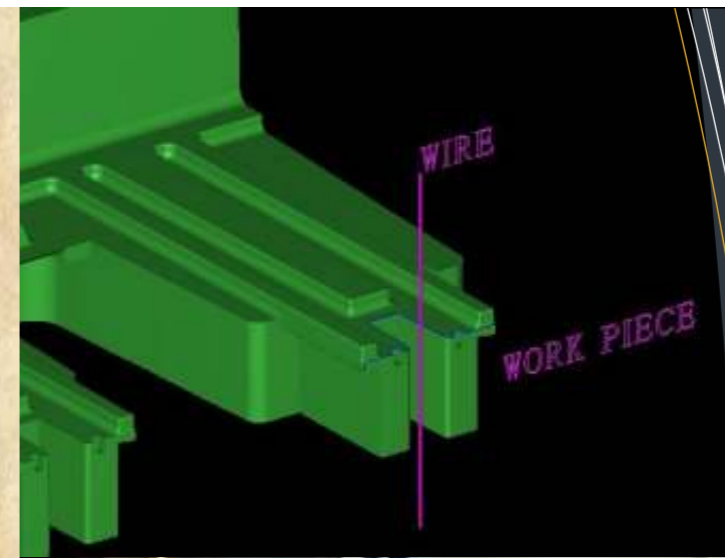
Excellence

Experience

Capability

Quality

Service



CNC Machining

With Multiple High speed CNC Machining centres, CNC Lathes, CNC EDM and WireCut Capable of Performing Complex Machining work, we produce quality cost effective Tooling, Special Purpose machines and machined components to suit individual customer requirements



Moulding

Rian can Mould products sizes ranging from 20 ton to 1100 Ton. Over the years Rian has manufactured various types of Moulds for all kinds of Industries. Rian also service and maintain Moulds and supply sub assembly products



Contact

Aaron Gackenheimer
General Manager

Phone 03 9584 6166
Fax 039584 4134
Email
aaron@rian.com.au